

# Two Level Bike Stand BR-200\_S

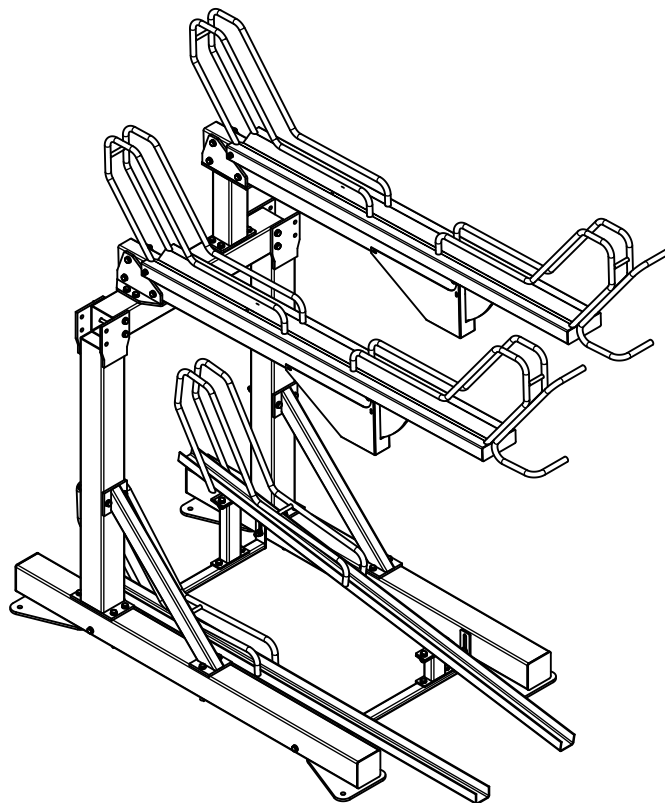
**Base Modules**

Extension Modules

Dimensions

Models

Configuration example



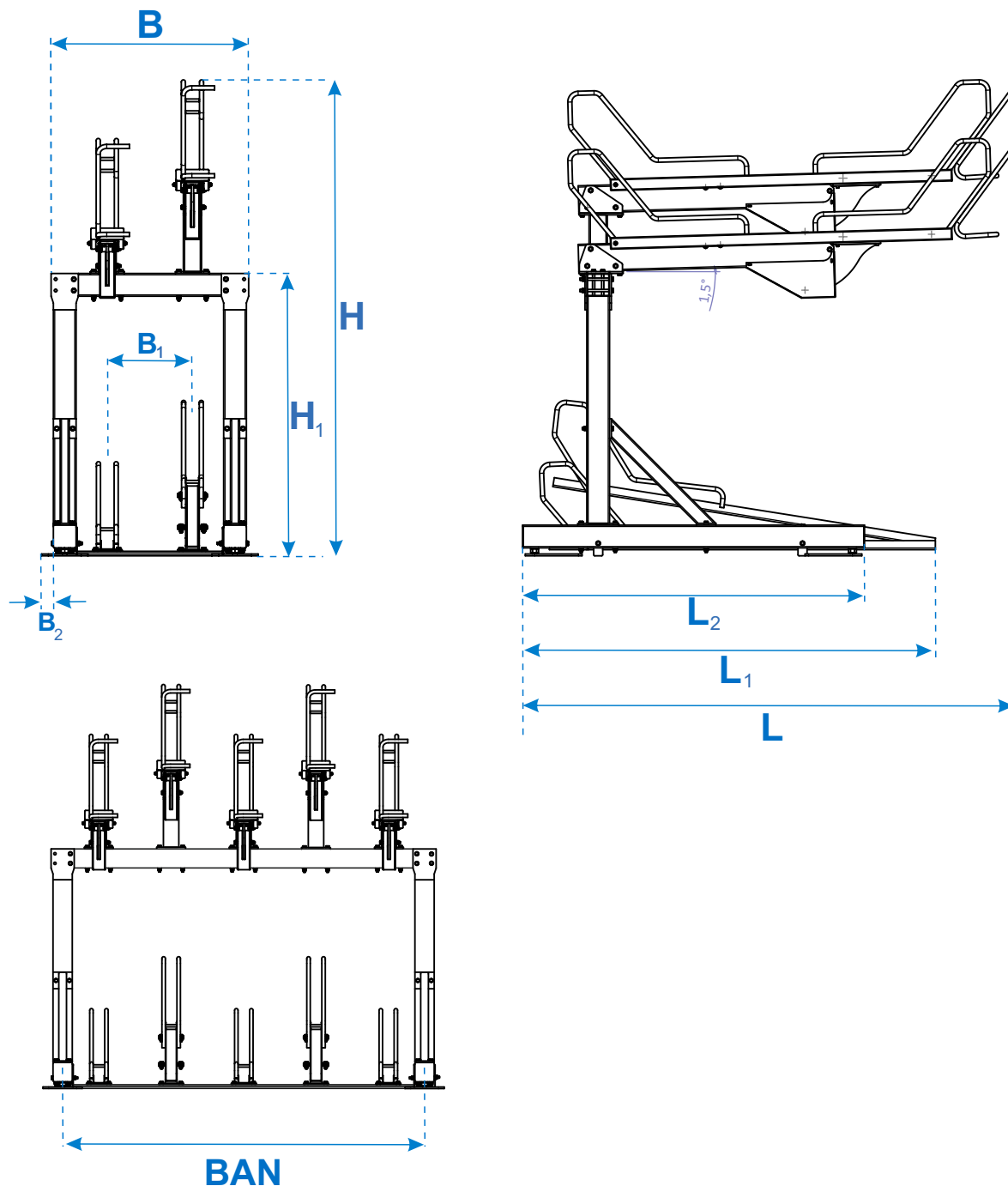
Two Level Bike Stand BR-200\_S



# Two Level Bike Stand BR-200\_S

## Base Modules

### Dimensions



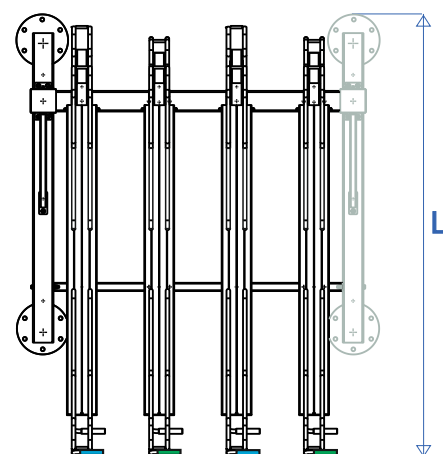
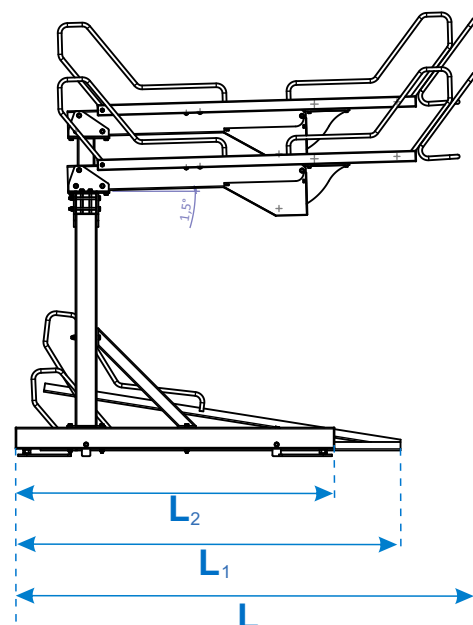
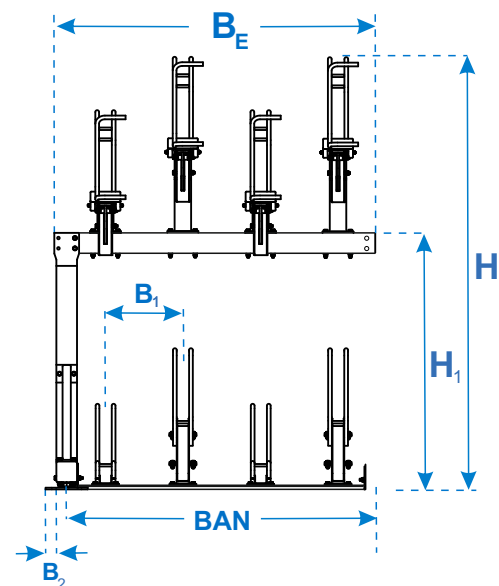
Base Modules		B	B <sub>1</sub>	B <sub>2</sub>	BAN	L	L <sub>1</sub>	L <sub>2</sub>	H	H <sub>1</sub>
		[cm]	[cm]	[cm]	[cm]	[cm]	[cm]	[cm]	[cm]	[cm]
1	BR_200_S_B_04	87,30	37,5	5,02	75,00	209,1	181,8	150	215	123
2	BR_200_S_B_06	124,80			112,50					
3	BR_200_S_B_08	162,30			150,00					
4	BR_200_S_B_10	199,80			187,50					
5	BR_200_S_B_12	237,30			225,00					
6	BR_200_S_B_14	274,80			262,50					
7	BR_200_S_B_16	312,30			300,00					

# Two Level Bike Stand BR-200\_S

## Extension Modules

### Dimensions

Extension Modules		B	B1	B2	BAN	L	L <sub>1</sub>	L <sub>2</sub>	H	H <sub>1</sub>
		[cm]	[cm]	[cm]	[cm]	[cm]	[cm]	[cm]	[cm]	[cm]
1	<b>BR_200_S_Ext_04 x 2</b>									
1.1	BR_200_S_Ext_04 x 2LL	96,05			93,75					
1.2	BR_200_S_Ext_04 x 2RL									
1.3	BR_200_S_Ext_04 x 2RH									
1.4	BR_200_S_Ext_04 x 2LH									
2	<b>ExR_200_S_Ext_06 x 2</b>									
2.1	BR_200_S_Ext_06 x 2LL	133,55			131,25					
2.2	BR_200_S_Ext_06 x 2RL									
2.3	BR_200_S_Ext_06 x 2RH									
2.4	BR_200_S_Ext_06 x 2LH									
3	<b>ExR_200_S_Ext_08 x 2</b>									
3.1	BR_200_S_Ext_08 x 2LL	171,05			168,75					
3.2	BR_200_S_Ext_08 x 2RL									
3.3	BR_200_S_Ext_08 x 2RH									
3.4	BR_200_S_Ext_08 x 2LH									
4	<b>ExR_200_S_Ext_10 x 2</b>									
4.1	BR_200_S_Ext_10 x 2LL	208,55	37,5	5,02	206,25	344,5	290	234	215	123
4.2	BR_200_S_Ext_10 x 2RL									
4.3	BR_200_S_Ext_10 x 2RH									
4.4	BR_200_S_Ext_10 x 2LH									
5	<b>ExR_200_S_Ext_12 x 2</b>									
5.1	BR_200_S_Ext_12 x 2LL	246,05			243,75					
5.2	BR_200_S_Ext_12 x 2RL									
5.3	BR_200_S_Ext_12 x 2RH									
5.4	BR_200_S_Ext_12 x 2LH									
6	<b>ExR_200_S_Ext_14 x 2</b>									
6.1	BR_200_S_Ext_14 x 2LL	283,55			281,25					
6.2	BR_200_S_Ext_14 x 2RL									
6.3	BR_200_S_Ext_14 x 2RH									
6.4	BR_200_S_Ext_14 x 2LH									
7	<b>ExR_200_S_Ext_16 x 2</b>									
7.1	BR_200_S_Ext_16 x 2LL	321,05			318,75					
7.2	BR_200_S_Ext_16 x 2RL									
7.3	BR_200_S_Ext_16 x 2RH									
7.4	BR_200_S_Ext_16 x 2LH									

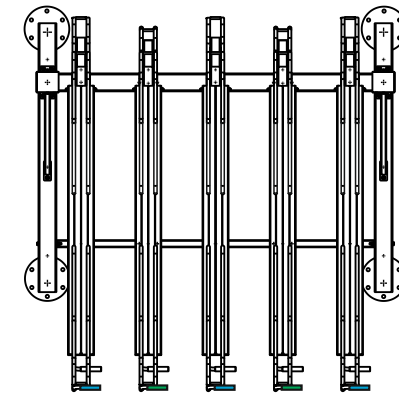
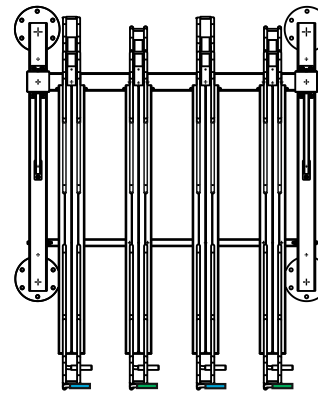
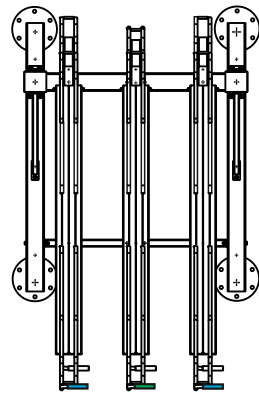
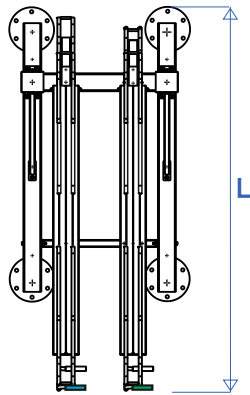
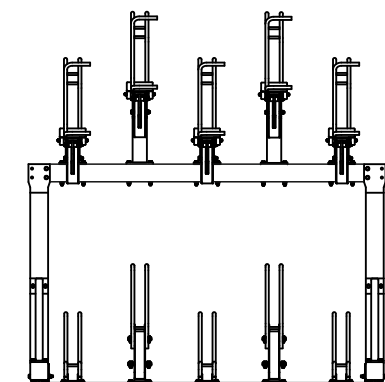
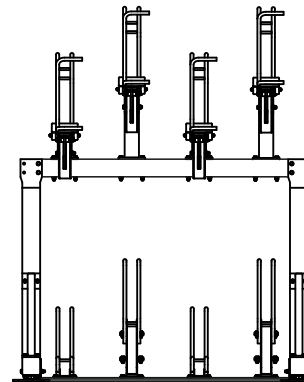
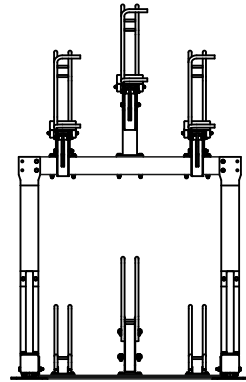
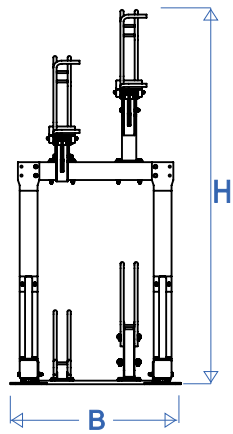


1. BR\_200\_S\_B\_04

2. BR\_200\_S\_B\_06

3. BR\_200\_S\_B\_08

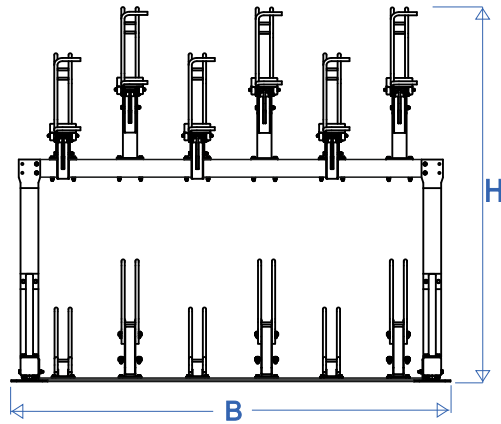
4. BR\_200\_S\_B\_10



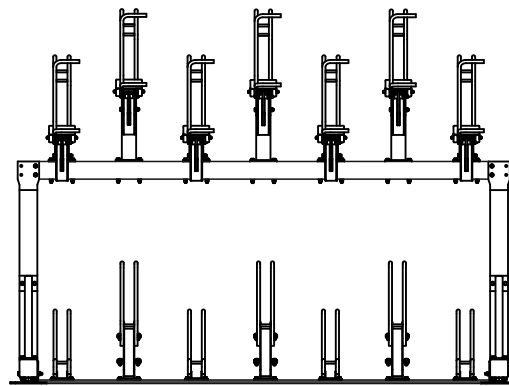
### Base Modules

1	SAB_BR_200_S_B_04
2	SAB_BR_200_S_B_06
3	SAB_BR_200_S_B_08
4	SAB_BR_200_S_B_10
5	SAB_BR_200_S_B_12
6	SAB_BR_200_S_B_14
7	SAB_BR_200_S_B_16

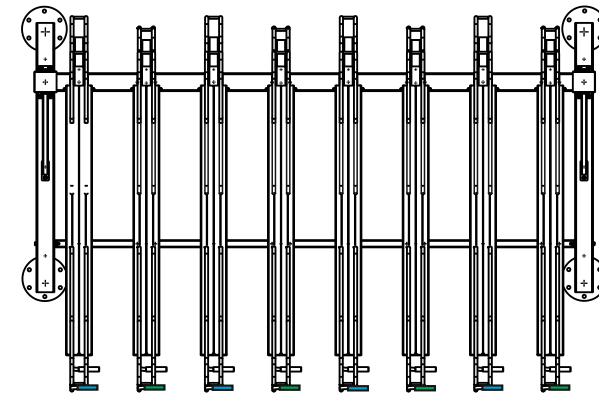
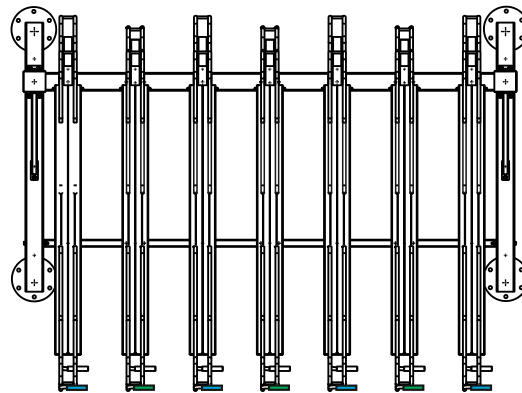
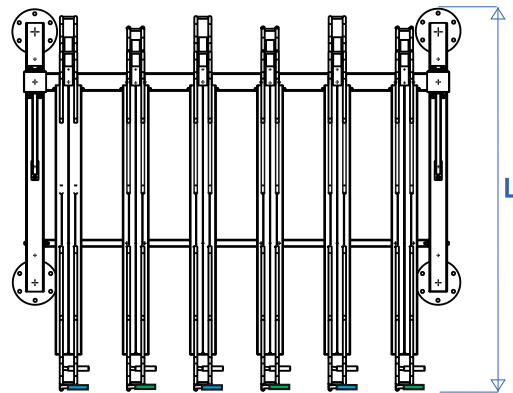
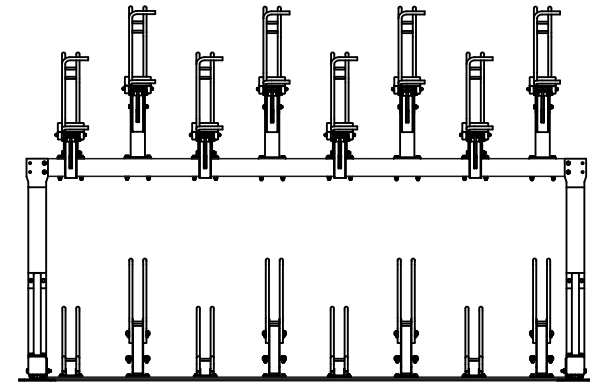
5. BR\_200\_S\_B\_12



6. BR\_200\_S\_B\_14



5. BR\_200\_S\_B\_16

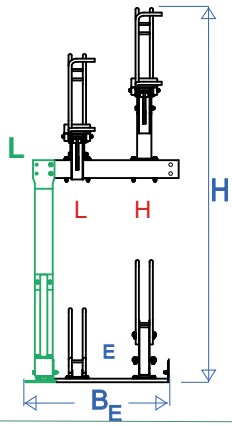


### Base Modules

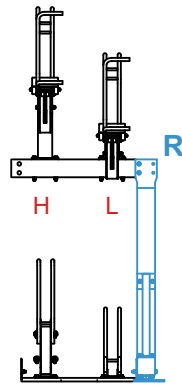
1	SAB_BR_200_S_B_04
2	SAB_BR_200_S_B_06
3	SAB_BR_200_S_B_08
4	SAB_BR_200_S_B_10
5	SAB_BR_200_S_B_12
6	SAB_BR_200_S_B_14
7	SAB_BR_200_S_B_16

1. BR\_200\_S\_Ex\_04

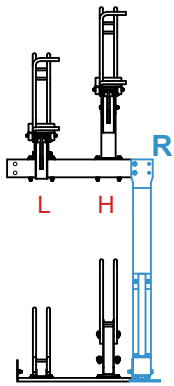
1.1 BR\_200\_S\_Ex\_04\_LL



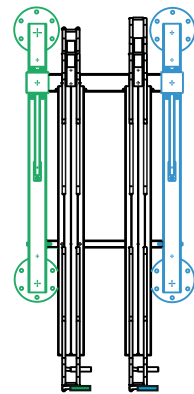
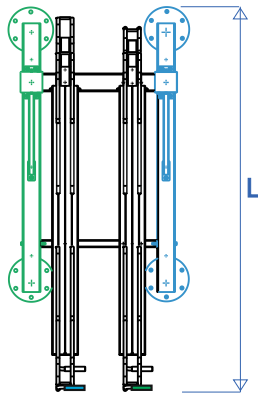
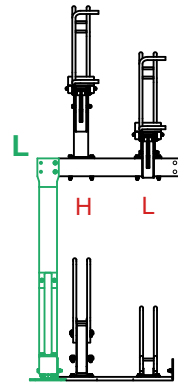
1.3 BR\_200\_S\_Ex\_04\_RH



1.2 BR\_200\_D\_Ex\_04\_RL

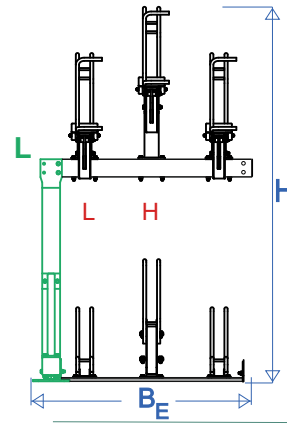


1.4 BR\_200\_D\_Ex\_04\_LH

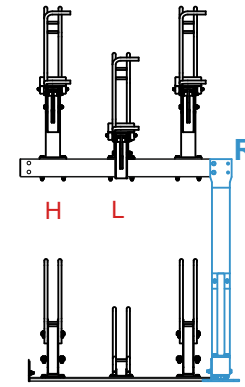


2. BR\_200\_S\_Ex\_06

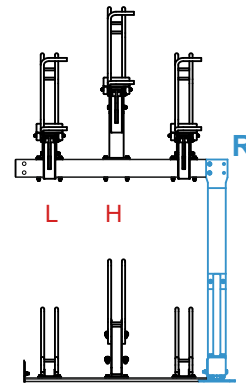
2.1 BR\_200\_S\_Ex\_06\_LL



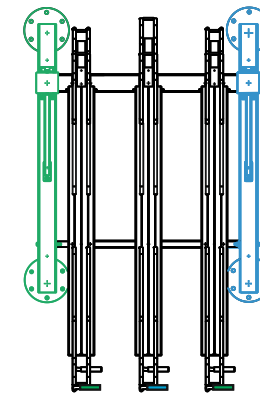
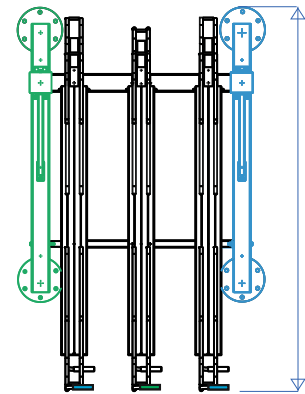
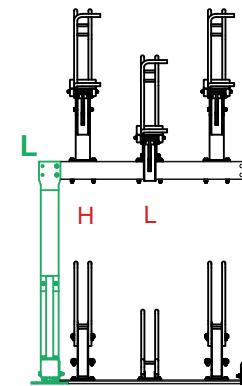
2.3 BR\_200\_D\_Ex\_06\_RH



2.2 BR\_200\_D\_Ex\_06\_RL



2.4 BR\_200\_D\_Ex\_06\_LH



Extension Modules	
1	SAB_BR_200_S_Ex_4x2
1.1	SAB_BR_200_S_Ex_04_LL
1.2	SAB_BR_200_S_Ex_04_RL
1.3	SAB_BR_200_S_Ex_04_RH
1.4	SAB_BR_200_S_Ex_04_LH
2	SAB_BR_200_S_Ex_06
2.1	SAB_BR_200_S_Ex_06_LL
2.2	SAB_BR_200_S_Ex_06_RL
2.3	SAB_BR_200_S_Ex_06_RH
2.4	SAB_BR_200_S_Ex_06_LH
3	SAB_BR_200_S_Ex_08
4	SAB_BR_200_S_Ex_10
5	SAB_BR_200_S_Ex_12
6	SAB_BR_200_S_Ex_14
7	SAB_BR_200_S_Ex_16

### 3. BR\_200\_S\_Ex\_08

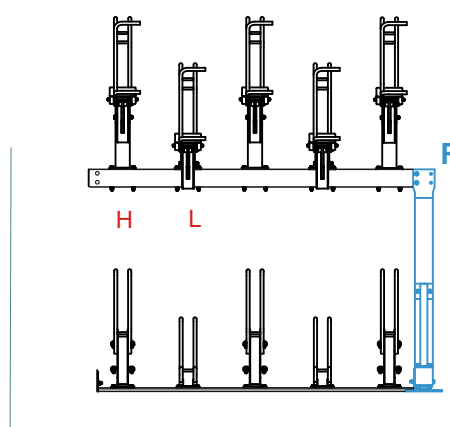
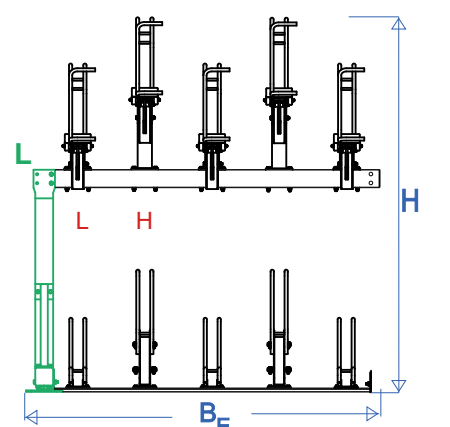
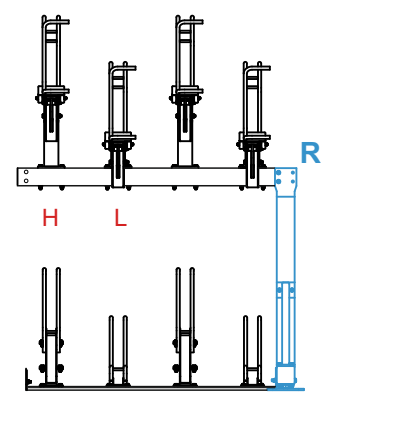
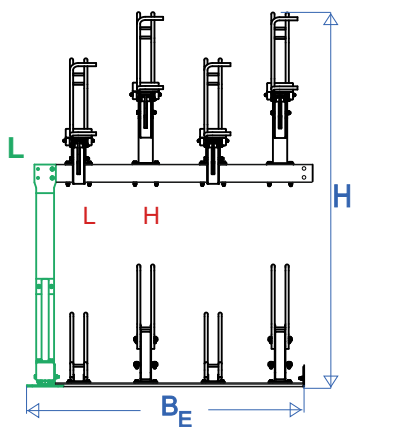
### 4. BR\_200\_S\_Ex\_10

3.1 BR\_200\_S\_Ex\_08\_LL

3.3 BR\_200\_S\_Ex\_08\_RH

4.1 BR\_200\_S\_Ex\_10\_LL

4.3 BR\_200\_D\_Ex\_10\_RH

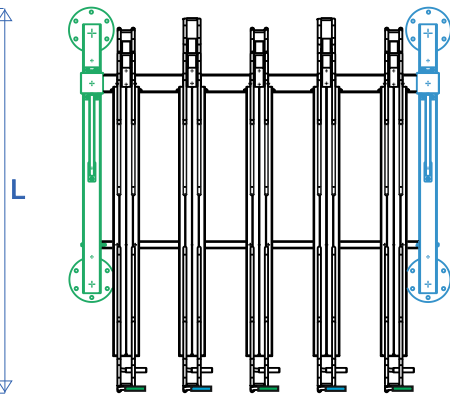
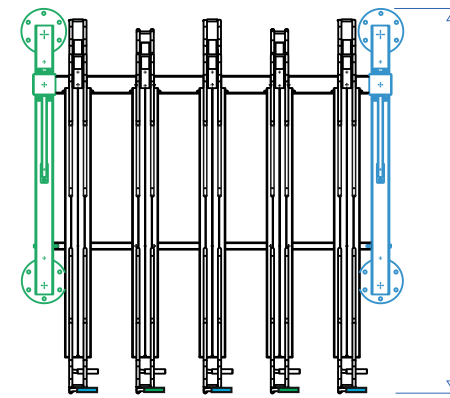
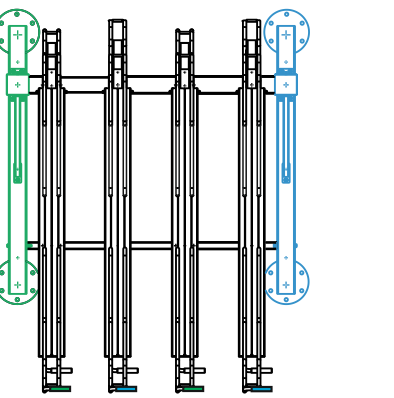
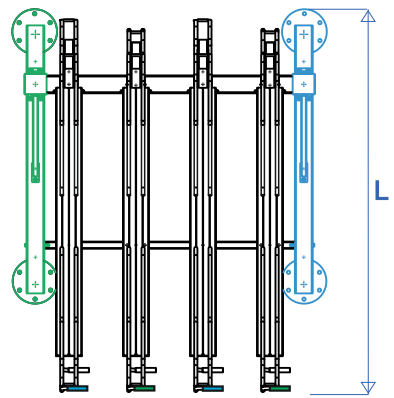
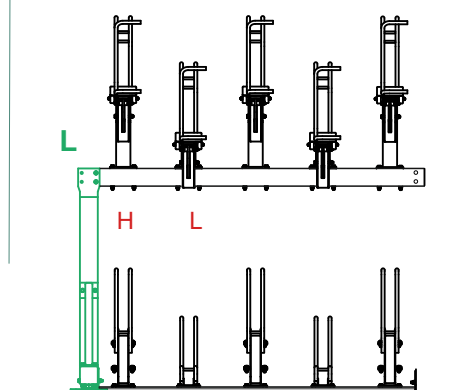
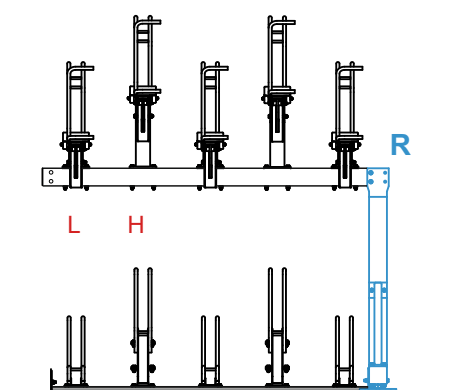
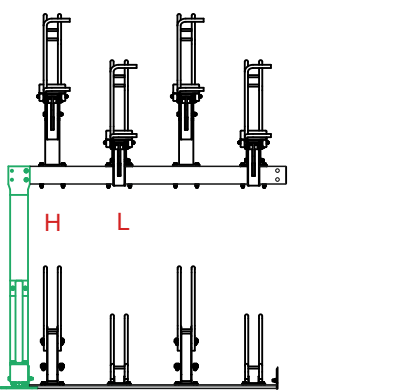
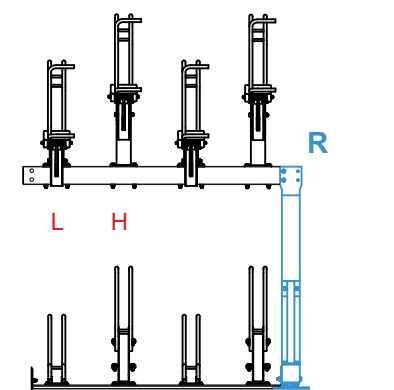


3.2 BR\_200\_D\_Ex\_08\_RL

3.4 BR\_200\_D\_Ex\_08\_LH

4.2 BR\_200\_D\_Ex\_10\_RL

4.4 BR\_200\_D\_Ex\_10\_LH



Extension Modules	
1	SAB_BR_200_S_Ex_04
2	SAB_BR_200_S_Ex_06
3	SAB_BR_200_S_Ex_08
3.1	SAB_BR_200_S_Ex_08_LL
3.2	SAB_BR_200_S_Ex_08_RL
3.3	SAB_BR_200_S_Ex_08_RH
3.4	SAB_BR_200_S_Ex_08_LH
4	SAB_BR_200_S_Ex_10
4.1	SAB_BR_200_S_Ex_10_LL
4.2	SAB_BR_200_S_Ex_10_RL
4.3	SAB_BR_200_S_Ex_10_RH
4.4	SAB_BR_200_S_Ex_10_LH
5	SAB_BR_200_S_Ex_12
6	SAB_BR_200_S_Ex_14
7	SAB_BR_200_S_Ex_16



### 5. BR\_200\_S\_Ex\_12

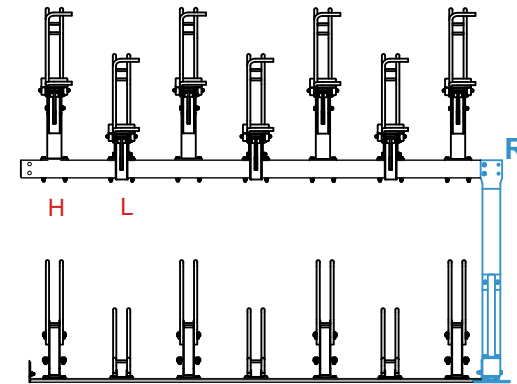
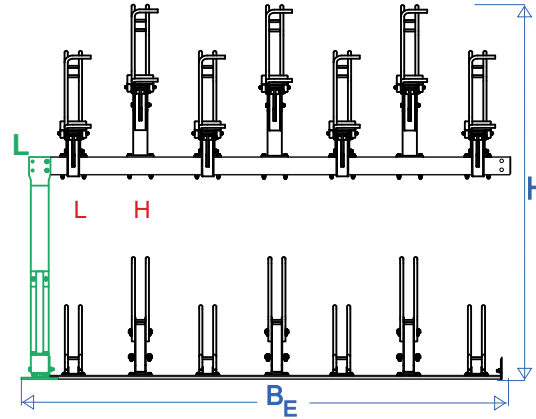
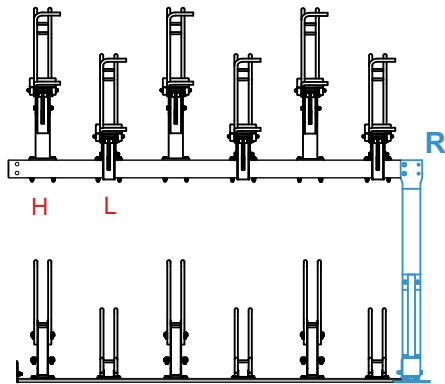
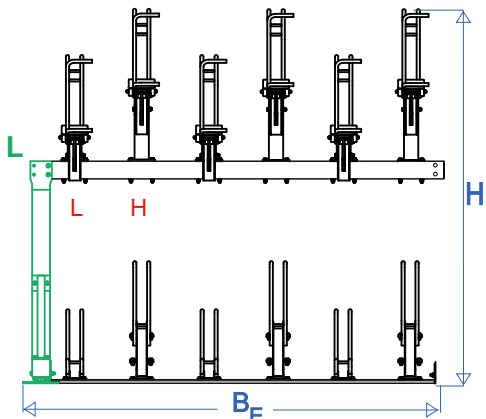
### 6. BR\_200\_S\_Ex\_14

5.1 BR\_200\_S\_Ex\_12\_LL

5.3 BR\_200\_S\_Ex\_12\_RH

6.1 BR\_200\_S\_Ex\_14\_LL

6.3 BR\_200\_D\_Ex\_14\_RH

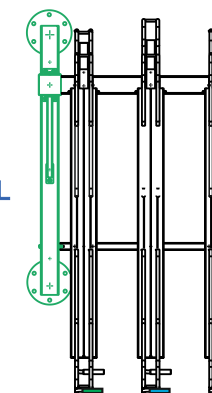
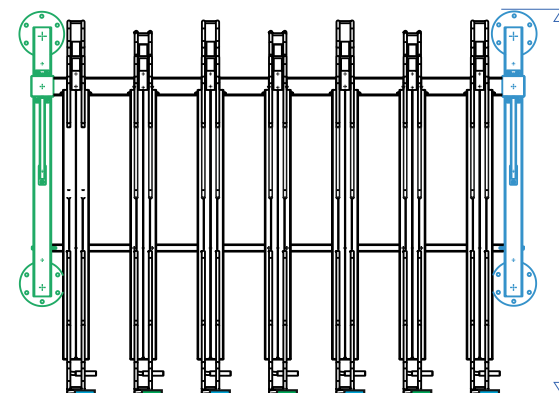
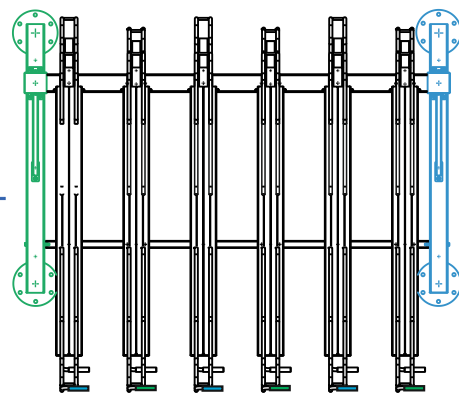
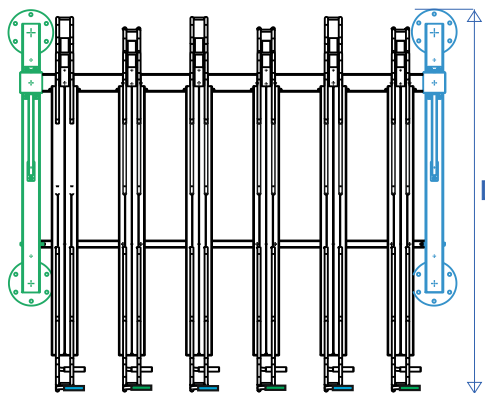
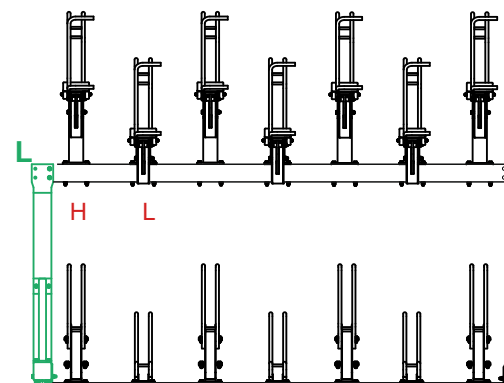
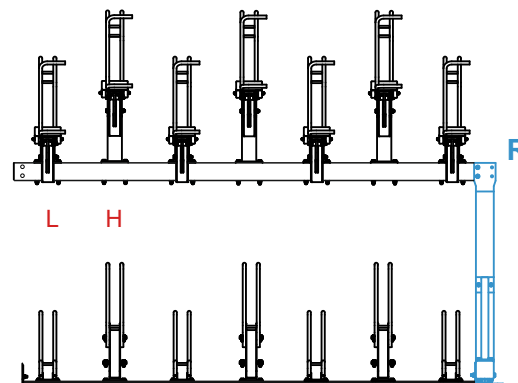
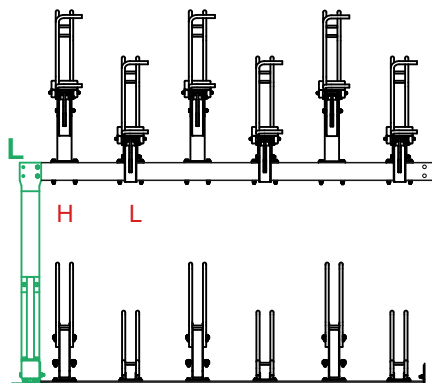
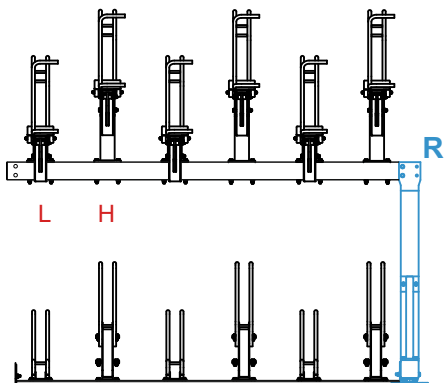


5.2 BR\_200\_D\_Ex\_12\_RL

5.4 BR\_200\_D\_Ex\_12\_LH

6.2 BR\_200\_D\_Ex\_14\_RL

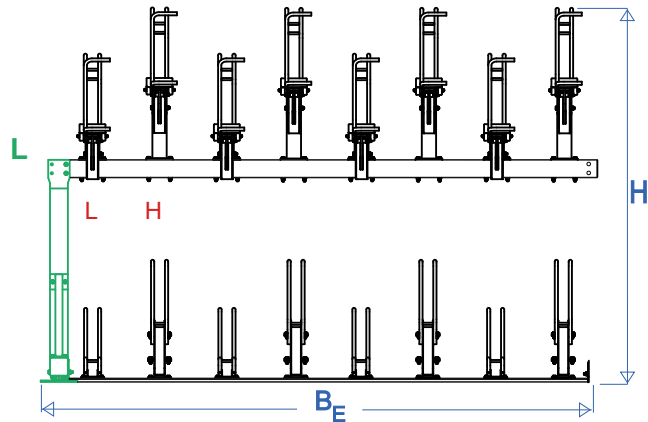
6.4 BR\_200\_D\_Ex\_14\_LH



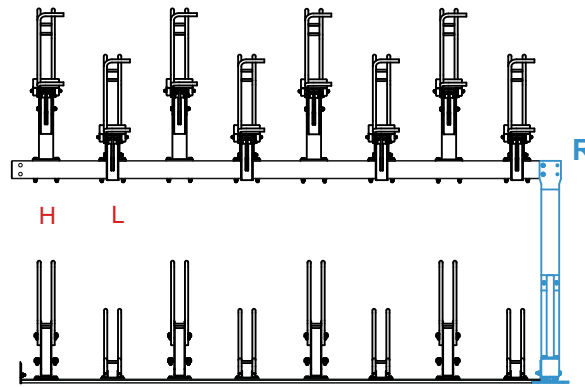
Extension Modules	
1	SAB_BR_200_S_Ex_04
2	SAB_BR_200_S_Ex_06
3	SAB_BR_200_S_Ex_08
4	SAB_BR_200_S_Ex_10
5	<b>SAB_BR_200_S_Ex_12</b>
5.1	SAB_BR_200_S_Ex_12_LL
5.2	SAB_BR_200_S_Ex_12_RL
5.3	SAB_BR_200_S_Ex_12_RH
5.4	SAB_BR_200_S_Ex_12_LH
6	<b>SAB_BR_200_S_Ex_14</b>
6.1	SAB_BR_200_S_Ex_14_LL
6.2	SAB_BR_200_S_Ex_14_RL
6.3	SAB_BR_200_S_Ex_14_RH
6.4	SAB_BR_200_S_Ex_14_LH
7	SAB_BR_200_S_Ex_16

1. BR\_200\_S\_Ex\_16

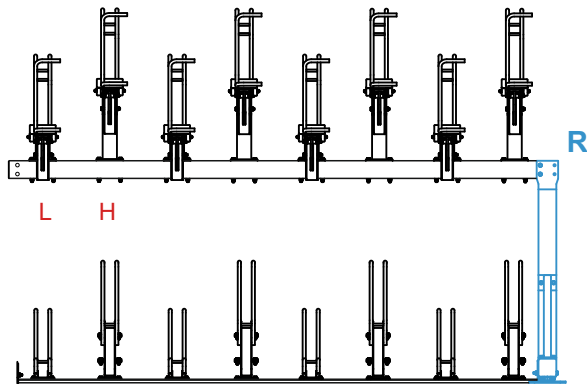
7.1 BR\_200\_S\_Ex\_16\_LL



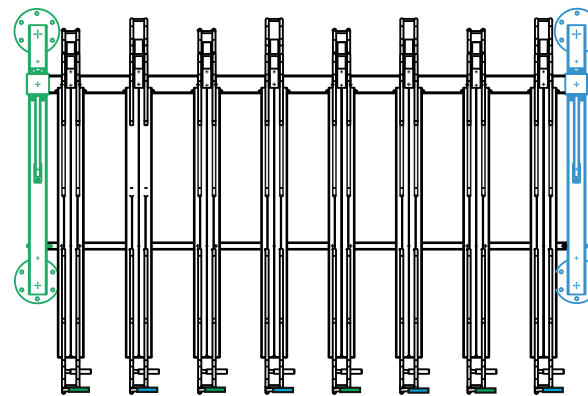
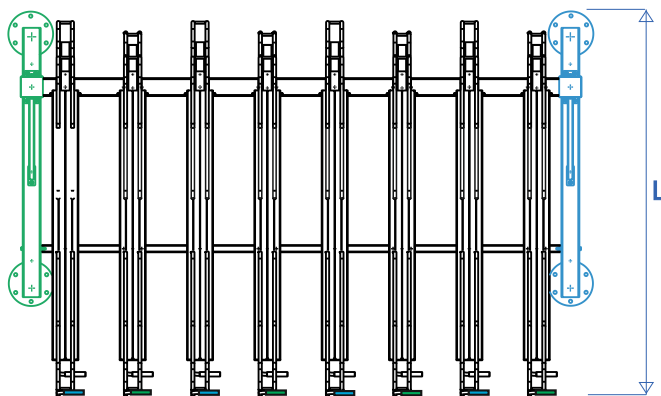
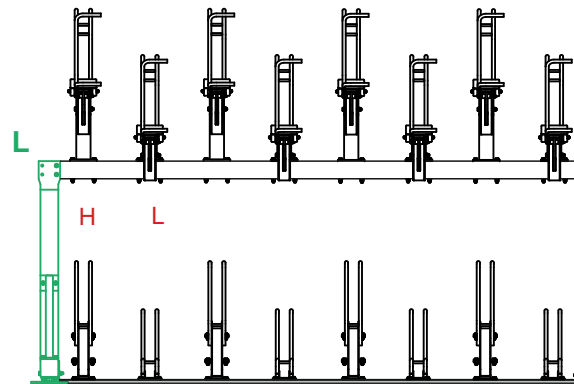
7.3 BR\_200\_S\_Ex\_16\_RH



7.2 BR\_200\_D\_Ex\_16\_RL



7.4 BR\_200\_D\_Ex\_16\_LH



Extension Modules	
1	\$SAB_BR_200_S_Ex_04
2	\$SAB_BR_200_S_Ex_06
3	\$SAB_BR_200_S_Ex_08
4	\$SAB_BR_200_S_Ex_10
5	\$SAB_BR_200_S_Ex_12
6	\$SAB_BR_200_S_Ex_14
7	<b>\$SAB_BR_200_S_Ex_16</b>
7.1	\$SAB_BR_200_S_Ex_16_LL
7.2	\$SAB_BR_200_S_Ex_16_RL
7.3	\$SAB_BR_200_S_Ex_16_RH
7.4	\$SAB_BR_200_S_Ex_16_LH

Made from hot-dip galvanised black steel

## Extension Modules

## Base Modules

## Extension Modules

5.1 BR\_200\_S\_Ex\_12\_LL

7. BR\_200\_S\_B\_16

5.1 BR\_200\_S\_Ex\_06\_LL

