
Technical Specifications.
Optimisation and aesthetics
in a single product.

OVAL IGLOO



140 Kg
Unladen weight

3000 L
Volume

1200 Kg
Nominal load

1190 mm
1250 mm
Height of front opening

1643 x 1515 x 1600 mm
Dimensions

890 x 210 mm
Paper opening
2 x Ø200 mm
2 x Ø400 mm
Circular opening dimensions

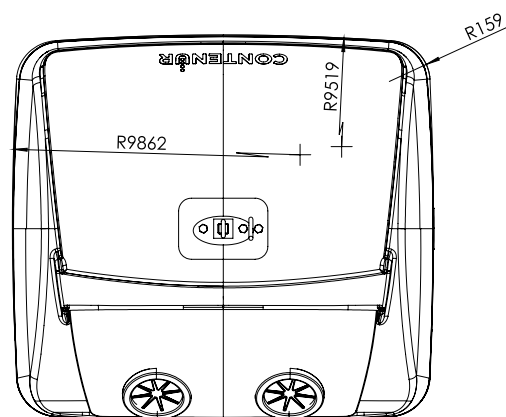
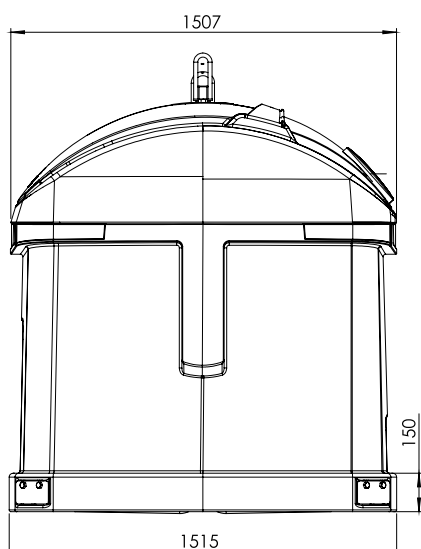
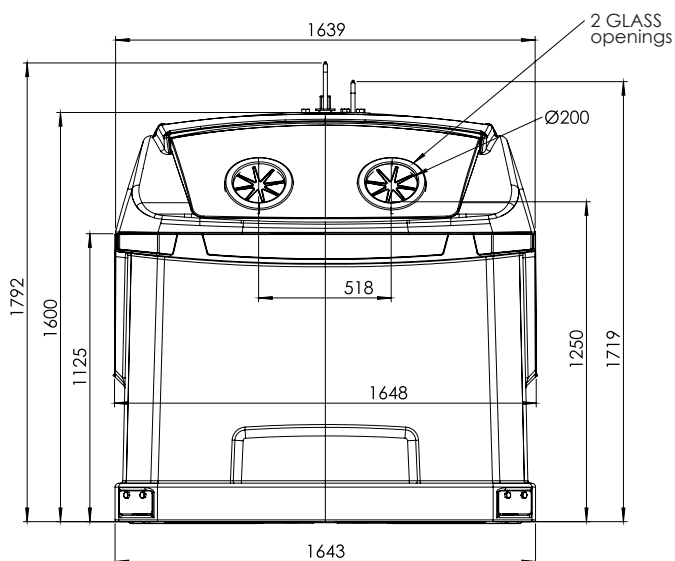


General

- The OVAL igloo maintains the aesthetics of side-loading containers. It has the same height and depth, so they maintain a uniform aesthetic line in the islands for installation in public places, **thus ensuring greater homogeneity and occupying less space.**
- Product designed to be fully integrated into any environment, with a **total height of 1600 mm**, meaning it does not become a visual obstacle, allowing **perfect visibility of the road and vehicles.**
- The lifting system is corrosion resistant metal. Available for different systems: **Double hook and Kinshofer.**
- Container body manufactured using rotational moulding with high-density, coloured linear polythene, stabilised against the combined action of UV rays and water.
- Lids in **HDPE** injection.
- **User openings at different heights**, between 1190 mm and 1250 mm to offer greater accessibility.
- Customisation: large surface area for customisation on the body, and on the front and back edges.
- Designed to house **smart elements.**
- Container has been designed in accordance with **standard EN-13071.**
- **CE Marking** in accordance with European Regulation 2000/14/CE - 96 dB.

OVAL Igloo Information

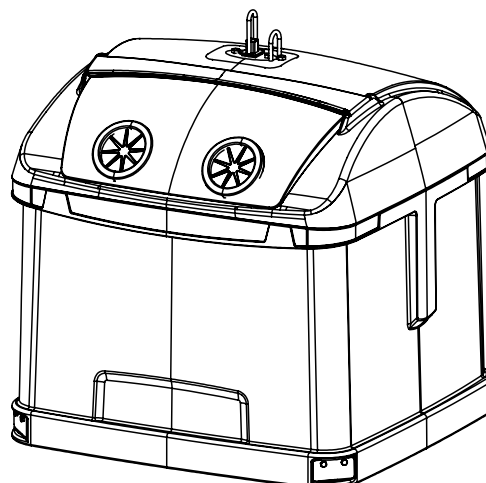
- Volume **3000 L**.
- Dimensions: **1643 x 1515 x 1600 mm** (length x width x height).
- Designed for Glass, General Waste, Paper and Packaging.



Characteristics

General

Waste	Glass, General Waste, Plastic and Paper
Dimensions (mm)	1643 x 1515 x 1600
Unladen weight (Kg)	140
Capacity (L)	3000
Total weight allowed (Kg)	1340
Circular opening (mm)	2 x Ø200 2 x Ø400
Height of front opening (mm)	1250
Paper opening (mm)	890 x 210
Height of front opening (mm)	1227



OVAL Igloo



Glass



General Waste



Packaging



Paper

