

LITTER BIN

# OMEGA 120 L

## OMEGA 120 L LITTER BIN

<b>120 L</b> Capacity	<b>426 x 142 mm</b> User opening size
<b>PE Linear</b> Material	<b>1190 mm</b> Total height
<b>26,5 Kg</b> Weight	<b>590 mm</b> Maximum width
<b>4,8 Kg</b> Basket weight	<b>517 mm</b> Total depth
<b>900 mm</b> User opening height	



## UNCOVERED OMEGA 120 L LITTER BIN

<b>120 L</b> Capacity	<b>426 x 404 mm</b> User opening size
<b>PE Linear</b> Material	<b>970 mm</b> Total height
<b>22 Kg</b> Weight	<b>590 mm</b> Maximum width
<b>4,8 Kg</b> Basket weight	<b>517 mm</b> Total depth
<b>900 mm</b> User opening height	



LITTER BIN

# OMEGA 120 L

## GENERAL FEATURES

- Our range of **OMEGA** litter bins comes in 50,60 and 120 litres.
- Streamlined design with soft shapes and simple lines, conceived for cities with a modern and renovated look.
- All **OMEGA** litter bins are 100% recoverable at the end of their useful life. The entire range may be 100% made of recycled material.
- Manufactured with injected high-density polyethylene or linear polyethylene rotomoulding.
- Our family of **OMEGA** litter bins has been designed with a textured finish to avoid stickers adhering or graffiti.
- All **OMEGA** litter bin models have the possibility of a top cover.
- The roundness of the cover avoids unwanted waste depositing and accumulated water.
- Open **OMEGA** 50 L, 60 L and 120 L litter bins are designed for parks and green/landscaped areas.
- Customisation: a large customisable surface area on the body and lid.
- The feeding area in all litter bins is placed at a maximum height of 900 mm for greater access.
- All litter bins in the **OMEGA** family meet Accessibility Standard - UNE EN 170001.
- Standard **CONTENÜR** Grey. Other colours available, subject to a minimum order.



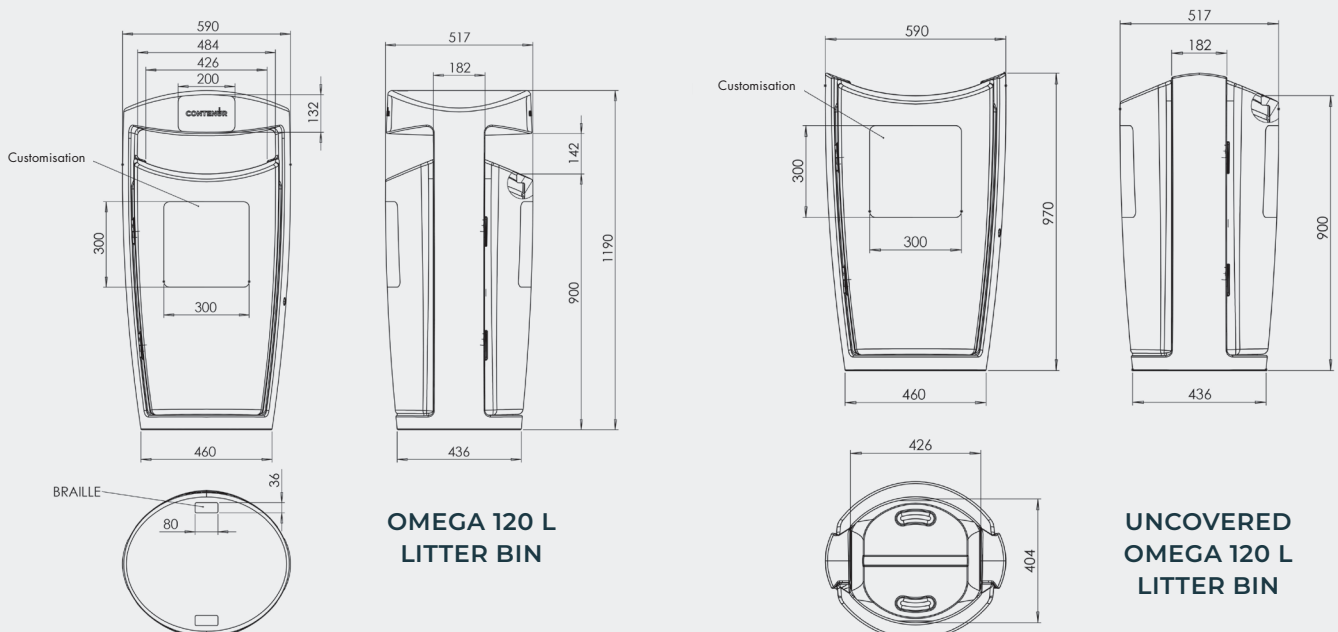
LITTER BIN

# OMEGA 120 L

## TECHNICAL FEATURES

- Rotomoulded in linear polyethylene, dyed in the mass.
- Conceived and designed for busy public areas.
- The **OMEGA 120 L** litter bin consists of a structure, inside chamber and access door.
- 120-litre capacity basket. Highly resistant to blows and breakage.
- The inside chamber is fitted with a handle to help workers in their emptying tasks.
- The **OMEGA 120 L** litter bin may be ordered without a top cover.
- User opening, available in the following sizes:  
**OMEGA 120 L litter bin:** 426 x 142 mm  
**Uncovered OMEGA 120 L litter bin:** 426 x 404 mm
- User opening placed at a 900 mm height, for greater access.
- Standard customisation: Possibility of customising the body of the litter bin with screen printing or a plate, the maximum available size being 300 x 300 mm.
- Premium customisation: Upon request, the possibility exists of integrated customisation in the body (textured), the maximum available size being: 300 x 300 mm.  
 The body of the litter bin may be customised with an integrated sticker, the maximum available size being 300 x 300 mm.
- Possibility of customising the litter bin cover with textured Braille lettering, the maximum available size being 80 x 36 mm.
- Wider support base integrated into the body to guarantee greater overall stability. Fixed to the pavement with four universal anchor brackets, 12 mm wide.
- Opening and closing system fitted with a standard triangular key, only available to authorised staff.

## OMEGA 120 L LITTER BIN - MEASUREMENTS



**OMEGA 120 L LITTER BIN**

**UNCOVERED OMEGA 120 L LITTER BIN**

LITTER BIN

# OMEGA 120 L

## ACCESSORIES



### ASHTRAY -

This accessory is only available for the standard version of each model. Located in the middle of the bin lid, it allows cigarette butts to be put out and discarded inside.



### ELECTRONIC CHIP -

The litter bin has a space in which to host a TAG-type electronic chip inside the bin door. This enables identification and tracking of the product and allows a supervision of any cleaning and maintenance tasks.



### UNCOVERED OMEGA 120 L LITTER BIN -

Upon request, the **OMEGA 120 L** litter bin may be provided without a top cover, which is ideal for green or landscaped areas.



### PLASTIC BAG DISPENSER -

All litter bins may be fitted with a plastic bag dispenser for dog excrement, located on the side of the bin. It consists of a PEHD-manufactured carcass and identifying picture, with a dispenser able to hold 50 bags. Usable size: 65 x 60 mm.



### BICOMPARTMENT OPTION -

A bicompartamental basket for the selective collection of different types of waste: paper and cardboard, glass, containers, etc. The inside chamber may be divided into two sections, of 60 litres each.



OMEGA 50 L  
LITTER BIN



OMEGA 50 L  
LITTER BIN  
Uncovered



OMEGA 60 L  
LITTER BIN



OMEGA 60 L  
LITTER BIN  
Uncovered



OMEGA 120 L  
LITTER BIN



OMEGA 120 L  
LITTER BIN  
Uncovered