

Gunnar Floodlight

Antoni Roselló, 2020

urbidermis



CE UL RoHS IP66 IK08

Description

Inspired by neo-classical architectural orders, the Gunnar floodlight provides uniqueness and functionality in the outdoor space. An urban and architectural lighting element, with reduced dimensions and structural robustness. A wide variety of adjustable supports is provided, for installing the floodlight on columns, catenaries or vertical walls. With a wide range of lighting layouts that are more energy efficient, the Gunnar urban floodlight provides functional quality at different heights, for roads, green spaces or buildings.

Materials

Floodlight made from die cast EN-AC-47100 aluminum and 6063-T5 extruded aluminum, thermal coating finish with C3 anti-corrosive protection. Interior reflector made from injected ABS-PC. Diffuser made from tempered optical glass. A2 stainless steel screws and metal compression gland.

Installation

Through accessories, it adapts to different columns, structures, catenaries or walls.

The element is supplied disassembled in two components: projector and accessories; or three components: projector, accessories and column. The area of exposure to the wind of the projector is 0.05m².

Standards

UNE-EN 60529, UNE-EN 60598, UNE-EN 55015, UNE-EN 61000, UNE-EN 50102, UNE-EN 62031, UL 1598, UL 8750, (file E-505192).

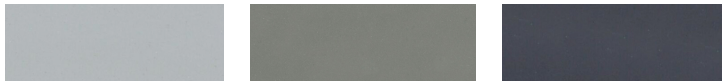
IP66 (protection from dust ingress and high-pressure water jets), Suitable for wet locations.

IK08 (protection against external mechanical impacts).

Electrical Class

Class I (CE)

Finishes



Light grey

Medium grey

Dark grey

*The colors shown are merely. (Other colors upon request)

**Inquire about finishes for maritime environments

Approximate weight without packaging (kg)

4.7

Surface area exposed to the wind (m²)

0.05

For more information consult urbidermis.com

The technical information provided by Urbidermis may be changed without notice.
We support intellectual property rights. info@urbidermis.com / +34 938 619 100 / urbidermis.com

Last update: 10/5/2022

Technical information

High-efficiency optical unit of 12, 18 LEDs and COB

Nominal lamp power (W)

12 LEDs: 12 / 18 / 24

18 LEDs: 18 / 27 / 36

COB: 18 / 26 / 37

System power (W)

12 LEDs: 15 / 21 / 29

18 LEDs: 22 / 32 / 42

COB: 20 / 28 / 39

Operating current (mA)

350, 500, 700

Color temperature (K)

3000 CRI min80, 4000 CRI min80

Power supply

Direct current driver

Control

1-10V, DALI, Dual level with control cable,
Diming on head. Automated programmable.
The LED light can be controlled through different interfaces.
These controls enable precise individual lighting control,
to sustainably reduce energy consumption.

Constant Light Output (CLO).

Ensures a constant output over the course of the light's useful life.

Power factor (cos Φ):

No. of LEDs	Current (mA)	P (W) 100%, CLO 80%
12	350	0.84
	500	0.87
	700	0.88
18	350	0.93
	500	0.94
	700	0.94
COB	350	0.91
	500	0.93
	700	0.93

Operating voltage

220-240V 50-60Hz (CE)

120-277V 60Hz (UL)

Recommended cable

0.6-1kV - 5 x 1.5mm² (AWG18) / 3 x 2.5mm² (AWG16)

Operating rated temperature (°C)

30°C

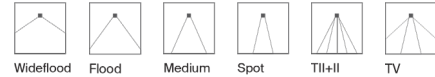
Lifetime

TM21 L70 (10k) > 50,000 h.

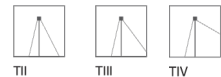
Thanks to the optimized technical design, up to 70% of the luminous flux is maintained after 50,000 h.

Light distributions

Symmetrical



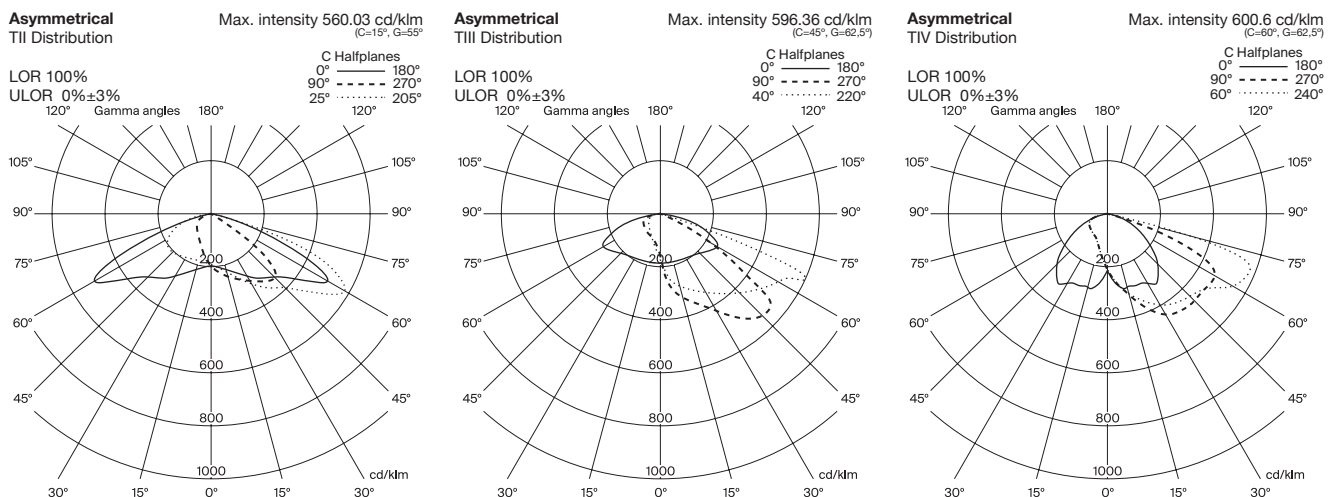
Asymmetrical



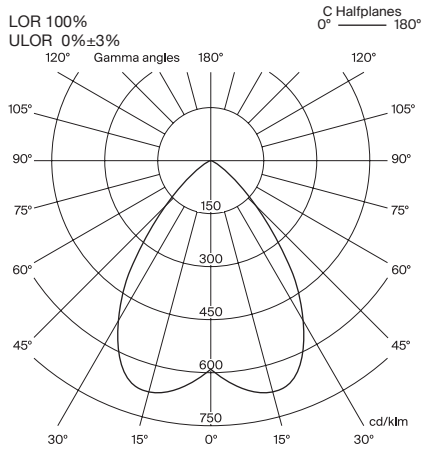
Upper Hemispherical Luminous Flux (FHS%)

0%±3%

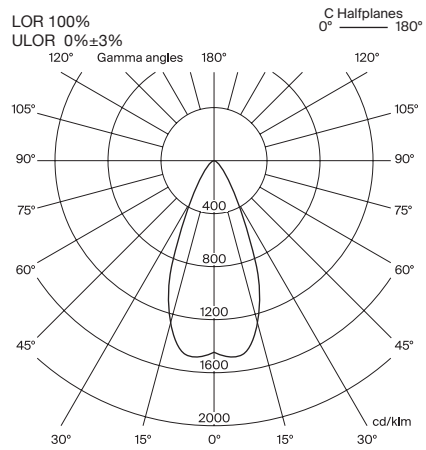
Light distributions



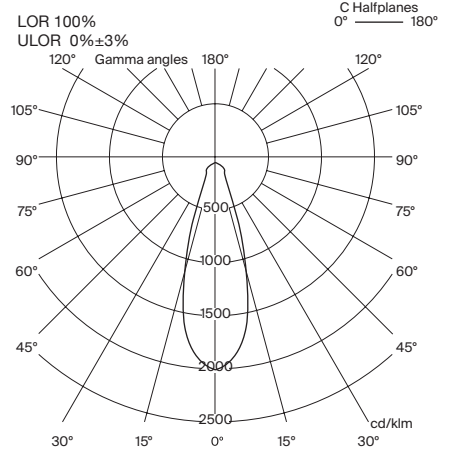
**Symmetrical
Wide Flood** Max. current 666.60 cd/klm
(C=390°, G=12.5°)



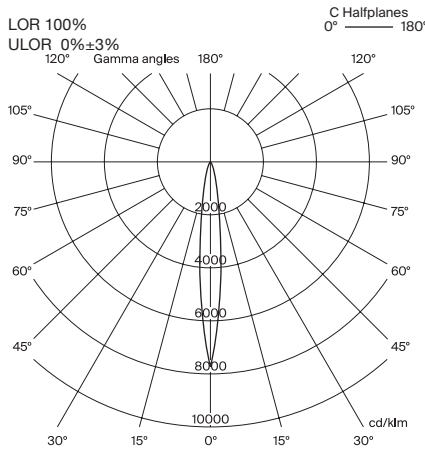
**Symmetrical
Flood** Max. current 1263.14 cd/klm
(C=270°, G=5°)



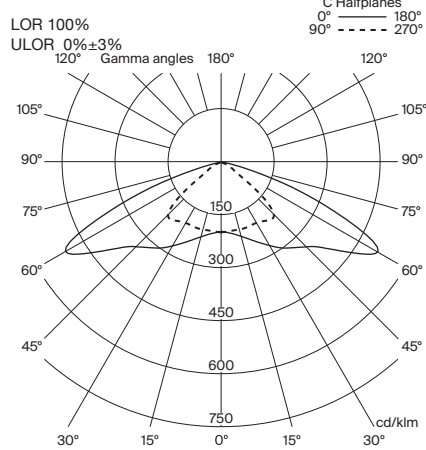
**Symmetrical
Medium** Max. current 1888.88 cd/klm
(C=0°, G=0°)



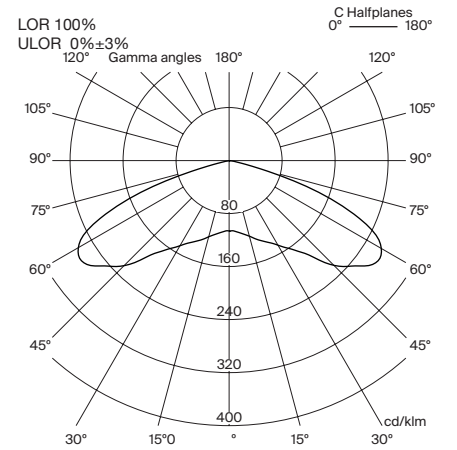
**Symmetrical
Spot** Max. current 7112.58 cd/klm
(C=0°, G=0°)



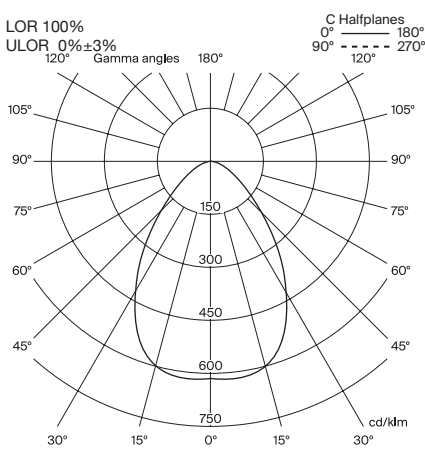
**Symmetrical
TII + II** Max. current 458.63 cd/klm
(C=0°, G=60°)



**Symmetrical
TV** Max. intensity 308.65 cd/klm
(C=0°, G=57.5°)

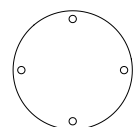
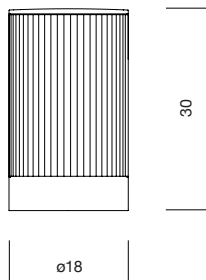


**Symmetrical
Wide Flood COB** Max. current 2544.6 cd/klm
(C=0°, G=60°)



Reference	No. of LEDs	Color temp. (K)	Current (mA)	Light power (W)	System power (W)	IESNA **TII		IESNA **TIII		IESNA **TIV		IESNA **TV		Wide Flood **WF (76°)		Flood **F (42°)		Medium **M (30°)		Spot **S (15°)		IESNA **TII+II	
						Luminous flux (lm)	Efficacy (lm/W)	Luminous flux (lm)	Efficacy (lm/W)	Luminous flux (lm)	Efficacy (lm/W)	Luminous flux (lm)	Efficacy (lm/W)	Luminous flux (lm)	Efficacy (lm/W)	Luminous flux (lm)	Efficacy (lm/W)	Luminous flux (lm)	Efficacy (lm/W)	Luminous flux (lm)	Efficacy (lm/W)	Luminous flux (lm)	Efficacy (lm/W)
GUP12A1**	12	3000 CRI min80	350	12	15	1268	85	1237	83	1195	80	1280	86	1373	92	1412	94	1435	96	1457	97	1200	80
GUP12B1**			500	18	21	1715	83	1673	81	1617	78	1731	84	1857	90	1910	92	1941	94	1970	95	1623	79
GUP12C1**			700	22	29	2343	82	2285	80	2209	77	2365	83	2537	89	2610	91	2652	93	2692	94	2217	77
GUP12A2**		4000 CRI min80	350	12	15	1317	88	1285	86	1242	83	1330	89	1426	95	1467	98	1491	100	1513	101	1246	83
GUP12B2**			500	18	21	1782	86	1738	84	1680	81	1799	87	1929	93	1985	96	2017	98	2047	99	1686	82
GUP12C2**			700	22	29	2434	85	2374	83	2295	80	2457	86	2636	92	2711	95	2755	96	2796	98	2303	80
GUP18A1**	18	3000 CRI min80	350	17	21	1997	98	1948	96	1882	93	2015	99	2162	106	2224	109	2260	111	2294	113	1889	93
GUP18B1**			500	25	30	2700	94	2626	92	2552	89	2715	95	2911	102	3015	105	3055	106	3104	108	2661	89
GUP18C1**			700	35	40	3656	91	3566	89	3447	86	3690	92	3959	99	4073	102	4138	103	4200	105	3459	86
GUP18A2**		4000 CRI min80	350	17	21	2074	102	2023	100	1956	96	2094	103	2246	110	2311	114	2348	115	2383	117	1963	97
GUP18B2**			500	25	30	2920	98	2848	99	2753	96	2947	103	3162	110	3253	113	3305	115	3355	117	2763	96
GUP18C2**			700	35	40	3799	95	3705	92	3581	89	3834	96	4113	103	4231	106	4299	107	4364	109	3594	90
GU1PCA1**	COB	3000 CRI min80	350	18	20	-	-	-	-	-	-	-	-	1807	87	-	-	-	-	-	-	-	-
GU1PCB1**			500	26	28	-	-	-	-	-	-	-	-	-	2444	82	-	-	-	-	-	-	-
GU1PCC1**			700	37	39	-	-	-	-	-	-	-	-	-	3339	80	-	-	-	-	-	-	-
GU1PCA2**		4000 CRI min80	350	18	20	-	-	-	-	-	-	-	-	-	1877	90	-	-	-	-	-	-	-
GU1PCB2**			500	26	28	-	-	-	-	-	-	-	-	-	2539	85	-	-	-	-	-	-	-
GU1PCC2**			700	37	39	-	-	-	-	-	-	-	-	-	3469	83	-	-	-	-	-	-	-

*Provisional Table



Offices Parc de Belloch
Ctra. C-251, Km 5.6
E-08430 La Roca (Barcelona, Spain)
+34 938 619 100



Warehouse
Carrer del Fou. Polígon Industrial Sud
E-08440 Cardedeu (Barcelona, Spain)
+34 938 619 182

For more information consult urbidermis.com

Measurements in cm

The technical information provided by Urbidermis may be changed without notice.
We support intellectual property rights. info@urbidermis.com / +34 938 619 100 / urbidermis.com

Last update: 10/5/2022