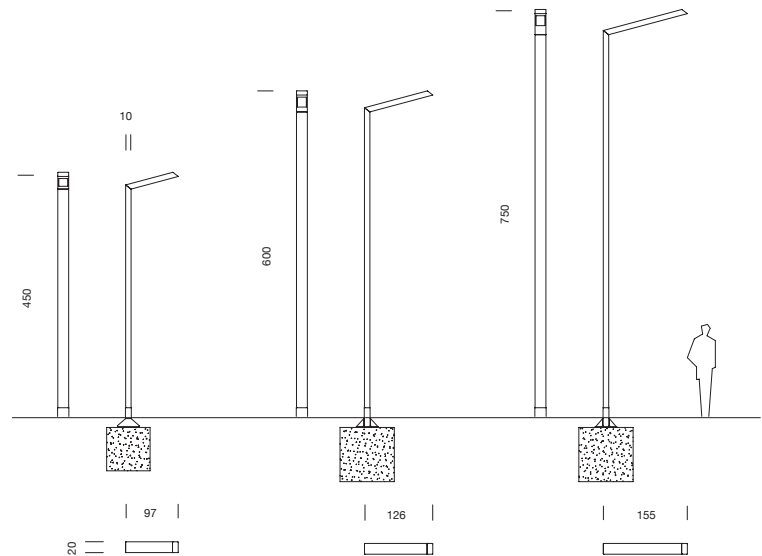


108 Streetlamp

Enric Batlle, Joan Roig. 2007

urbidermis
SANTA & COLE



Sizes in cm



Materials:

Pole and arm made of continuous hot-dip galvanised and primed steel tube section with paint finish. The poles measure 200 x 100 cm and three heights of 4,70, 6,20 and 7,70 m. The luminaire is composed by 2,4 and 6 multi-chip LEDs modules with tempered glass optical diffuser.

Finishes:



Light grey

Medium grey

Dark grey

*The colors shown are merely indicative and may differ from reality. (Other colours available to order)

**See special finishes for marine environments

Heights (m):

7.7 / 6.2 / 4.7 sunk 0.2m

Weights (kg):

7.7 m: 230

6.2 m: 170

4.7 m: 127.5

Installation:

The pole is fixed using a concrete cube, with groove for wiring, made on-site and four pole anchor bolts, 20 cm below the pavement. It's delivered disassembled in two parts: structure and optical unit. Instructions, screws, template and pole anchor bolts are included. (For further information log onto urbidermis.com)

Applicable standards: UNE-EN 40-5, UNE-EN ISO-1461, UNE-EN 60529, UNE-EN 60598, UNE-EN 55015, UNE-EN 61000, UNE-EN 50102, UNE-EN 62031.

Light system with CE marking made in ENAC-certified laboratory.

Protections: IP66 (protection from dust ingress and high-pressure water jets), IK08 (protection against external mechanical impacts).

Electrical rating: Class I (CE)

Light source: High-efficiency optical unit with 6, 12 or 18 LEDs multichip.

Nominal lamp power (W):

6 LEDs (multi chip): 23 / 33

12 LEDs (multi chip): 46 / 66

18 LEDs (multi chip): 69 / 99

System power (W):

6 LEDs (multi chip): 28 / 38

12 LEDs (multi chip): 51 / 71

18 LEDs (multi chip): 74 / 104

Operating current (mA): 300, 450

Colour temperature (K°): 3000 min80, 4000 CRI typ70

Power supply: constant current driver.

Regulation:

1-10V / DALI / Header flux regulation / Programmable automatic regulation.

The LED luminaire may be regulated using a number of differing interfaces.

These controls allow specific, individual control of light, reducing energy consumption in a sustainable manner.

Constant light output (CLO). Assures a constant lumen output from the luminaire throughout its lifetime.

Power factor (cos φ):

LEDs n°	Current (mA)	P (W) 100%, CLO 80%
6	300	0.95
	450	0.97
12	300	0.95
	450	0.97
18	300	0.98
	450	0.99

Operating voltage: 220-240V 50-60Hz (CE)

Wire:

0,6/1 kV 3x2,5mm²

0,6/1 kV 5x1,5mm² (prog.)

Temperature operating range Ta (°C): between -25 and 30 (450mA)

Lifetime: TM21 L70 (10k) > 60.000 h

Thanks to an optimised thermal design, the luminous flux is maintained up to 70% after 60.000 h.

Light distributions:

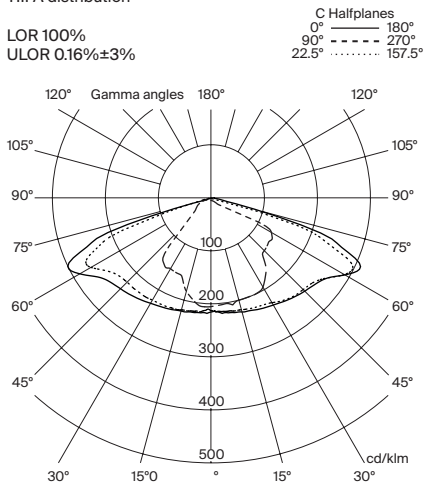
Asymmetric: Type III A, Type IV A, Type IV B (according to IESNA classification)

Upper Light Output Ratio (FHS%): 0.55-0.59

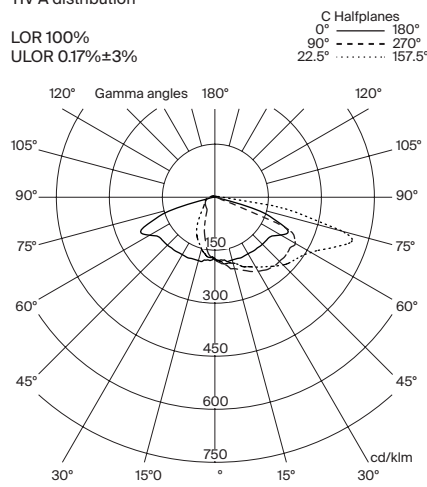
Configurations

Reference	N°LEDs	Color T° (K)	Current (mA)	Lamp power (W)	System power (W)	IESNA TIII A		IESNA TIV A		IESNA TIV B		IESNA TIV B	
						Luminaire luminous flux (lm)	Efficacy (lm/W)	Luminaire luminous flux (lm)	Efficacy (lm/W)	Luminaire luminous flux (lm)	Efficacy (lm/W)	Luminaire luminous flux (lm)	Efficacy (lm/W)
C8FL06D1xx	6	3000 CRI min80	300	23	28	2108	75	2108	75	-	-	-	-
C8FL06E1xx			450	33	38	2954	78	2954	78	-	-	-	-
C8FL06D2xx		4000 CRI tip70	300	23	28	2445	87	2445	87	-	-	-	-
C8FL06E2xx			450	33	38	3433	90	3433	90	-	-	-	-
C8FL12D1xx	12	3000 CRI min80	300	46	51	4215	83	4215	83	4215	83	-	-
C8FL12E1xx			450	66	71	5909	83	5909	83	5909	83	-	-
C8FL12D2xx		4000 CRI tip70	300	46	51	4891	96	4891	96	4891	96	-	-
C8FL12E2xx			450	66	71	6866	97	6866	97	6866	97	-	-
C8FL18D1xx	18	3000 CRI min80	350	69	75	6323	85	6323	85	-	-	6323	85
C8FL18E1xx			450	89	100	8863	85	8863	85	-	-	8863	85
C8FL18D2xx		4000 CRI tip70	350	69	75	7336	99	7336	99	-	-	7336	99
C8FL18E2xx			450	89	100	10298	99	10298	99	-	-	10298	99

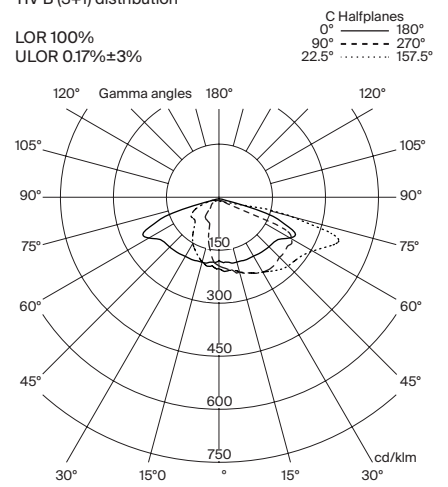
Asymmetric
TIII A distribution
Max. Intensity 333,17 cd/klm
(C=30°, G=60°)
LOR 100%
ULOR 0.16%±3%



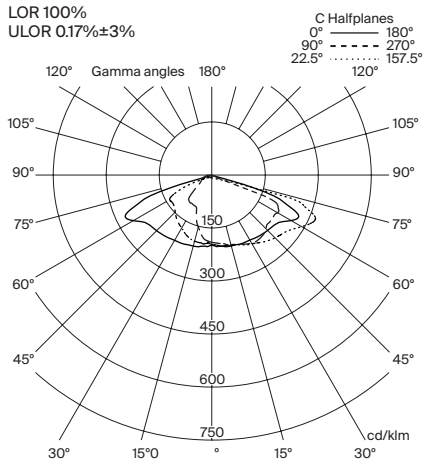
Asymmetric
TIV A distribution
Max. Intensity 433,60 cd/klm
(C=30°, G=60°)
LOR 100%
ULOR 0.17%±3%



Asymmetric
TIV B (3+1) distribution
Max. Intensity 386,08 cd/klm
(C=30°, G=60°)
LOR 100%
ULOR 0.17%±3%



Asymmetric
TIV BV (4+2) distribution
Max. Intensity 333,17 cd/klm
(C=30°, G=60°)
LOR 100%
ULOR 0.17%±3%



Configurations

Reference	Total height (m)	Visible height (m)	Outer sizes (mm) (D)	Thickness (mm)	Base plate (mm)	Distance between bolts (mm)	Bolts (x4) (F)	N° Doors	Door (A/B/C) (mm)	Foundation (X/Y/Z) (mm)
C8F41P	4.7	4.5	200x100	3	□ 400x12	□ 300	M18x500	1	130x450x97 & 136	1000x1000x600
C8F51P	6.2	6.0	200x100	3	□ 400x12	□ 300	M18x500	1	130x450x97 & 136	1200x1200x800
C8F61P	7.7	7.5	200x100	3	□ 400x12	□ 400	M18x500x8	1	130x450x97 & 136	1400x1400x800

*Recommendations for calculation in ground type II (according to UNE-40) and wind speed of 29 m/s, with soil formed by loose or wet dirt or sand of medium compactness ($E_o = 4800 \text{ KN/m}^2$), with HM-20 concrete. Non-binding information. We advise to carry out checks for each situation.

