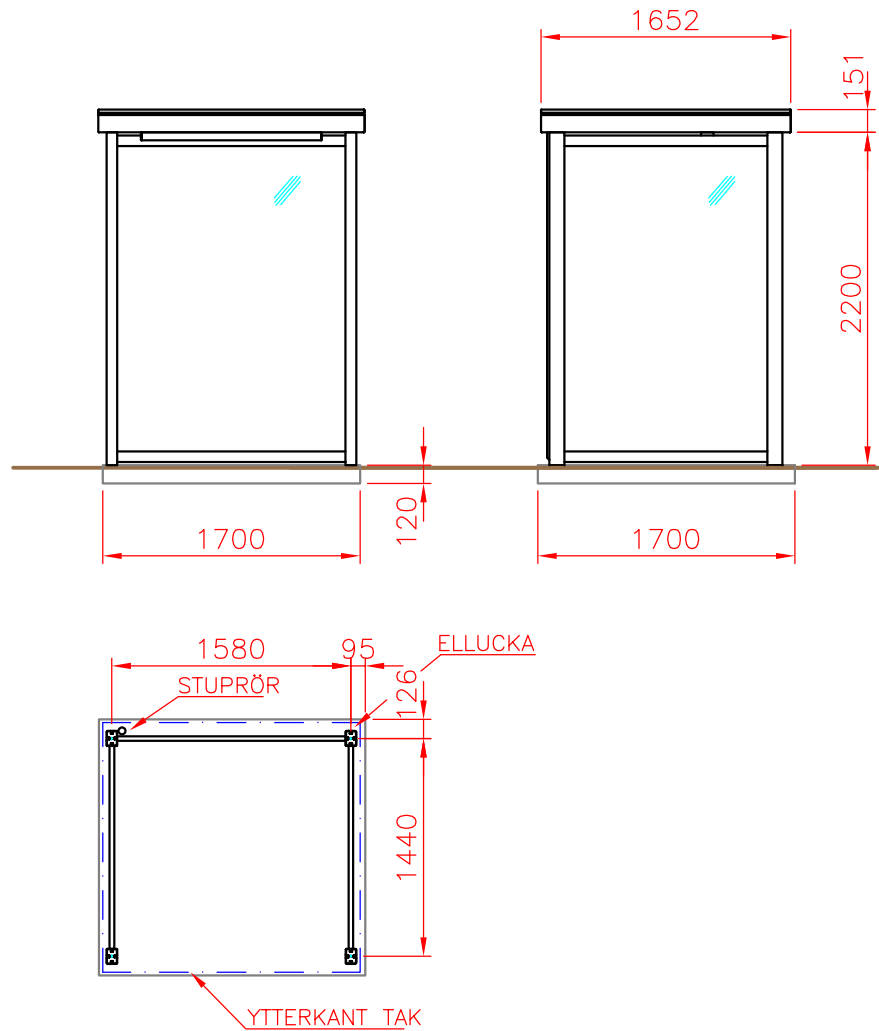



WELAND ALUMINIUM AB

This document must not be copied without our written permission and the contents thereof must not be imparted to a third party nor be used for any unauthorized purpose. Contravention will be prosecuted.



-	-	-	-	-	-	-	-	-	
Det.nr	Ant.	Benämning			Material	Mod.nr.ämne dimension		Anm.	
Konstr.	Ritad	Kop.	Konstr.	Stand.	Format	Skala	Generell tolerans		
-	AA	-	-	-	A4	1:50	-		
					VS LADDSTATION VÄDERSKYDD OPTIME 1580			Objektnummer	Datum
								-	
BJÖRNSTORPSVÄGEN 2 342 30 ALVESTA TFN +46 472-44500					-			Ritningsnummer	Rev.
								VS OPTIME 1580	

Nr.	Ant.	Ändring och/eller medd.-nr	Datum	Inf.	Godk.
-----	------	----------------------------	-------	------	-------