



### Materials

Body made of 3 mm thick AISI 316 stainless steel sheet, primed and painted Corten finish. Anti-splash water drainage grille and interior tray in AISI 316 electro polished matt stainless steel. Brass spout with matt chrome finish and Presto model push button. Pressure regulator and timed flow control included (antifreeze valve supplied separately). The Touchless version incorporates a presence sensor with detection up to 5 cm [2 in] and an alkaline battery with 1500 daily cycles and a useful life of up to 2 years, to avoid any direct contact with the element.

### Installation and maintenance

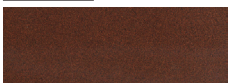
The element is fixed by means of stainless metal screws. It can be recessed or surface mounted. For temperatures  $\leq 0^{\circ}\text{C}$ , it is advisable to close the water flow and empty the circuit, to avoid freezing and breakage. The element is supplied assembled and packed. Instructions, screws and plugs included. It does not require maintenance, except regular cleaning of the tray and the button. For further information log onto [urbidermis.com](http://urbidermis.com)

### Standards

EN 15975-2, UNE 19703, EN 274-1, EN-681-1, EN 13618, ISO 12944, UNE 41510, EN 10088-2, UNE-EN ISO 9445.

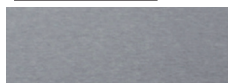
### Finishes

#### Structure



Corten paint

#### Grille and tray



Electropolished

\*The colours shown are merely indicative and may differ from reality. (Other colours available to order)

\*\*Consult finishes for marine environments.

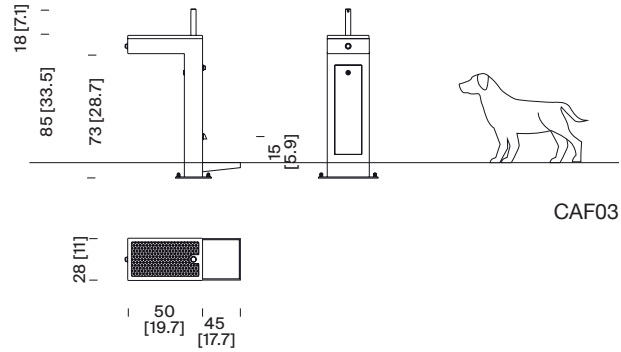
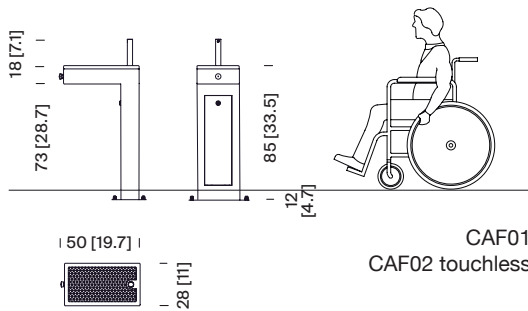
### Weight kg [lb] (unpacked)

75 [165.35]

# Caudal Drinking fountain

Pau Roviras, Carlos Torrente. 2005

Urbidermis



Headquarters Parc de Belloch  
Ctra. C-251, Km 5,6  
E-08430 La Roca (Barcelona, Spain)  
+34 938 619 100

Warehouse  
Carrer del Fou. Polígono Industrial Sud  
E-08440 Cardedeu (Barcelona, Spain)  
+34 938 619 182

